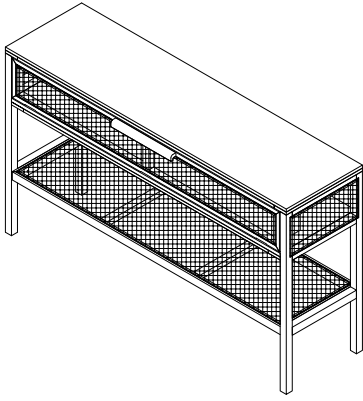


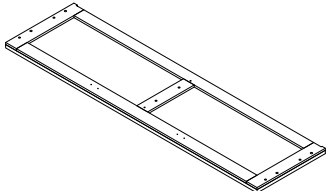
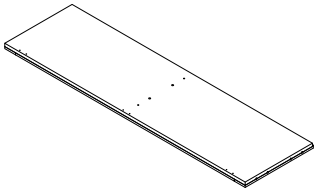
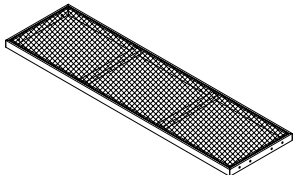
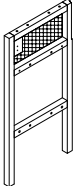
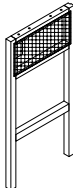
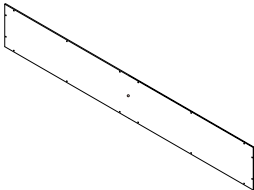
ASSEMBLY INSTRUCTION



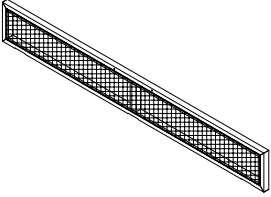
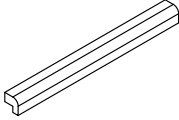
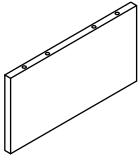

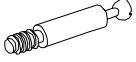

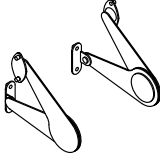

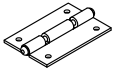
Product Name: **TALYA CONSOLE TABLE - BLACK**

PART LIST


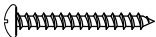
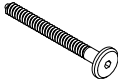
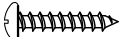
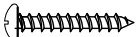
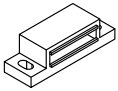
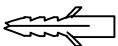
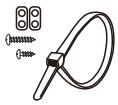

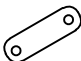
Before you begin, please layout all parts and ensure you have the correct count.

PART	DESCRIPTION	QUANTITY	ILLUSTRATION
1	TOP PANEL ASSY	1	
2	BOTTOM PANEL ASSY	1	
3	FIX SHELF PANEL ASSY	1	
4	LEFT SIDE PANEL ASSY	1	
5	RIGHT SIDE PANEL ASSY	1	
6	BACK PANEL ASSY	1	

PART LIST**Before you begin, please layout all parts and ensure you have the correct count.**

PART	DESCRIPTION	QUANTITY	ILLUSTRATION
7	DOOR PANEL ASSY	1	
8	DOOR HANDLE	1	
9	CENTER PANEL	1	
A	MINIFIX HOUSING Ø15	8	
B	MINIFIX BOLT Ø5	8	
C	WOODEN DOWEL Ø8X30	16	
D	FLIP STAY LEFT & RIGHT	1	
E	SCREW (JF Ø4X12MM)	8	
F	BUTTERFLY HINGE	3	

PART LIST**Before you begin, please layout all parts and ensure you have the correct count.**

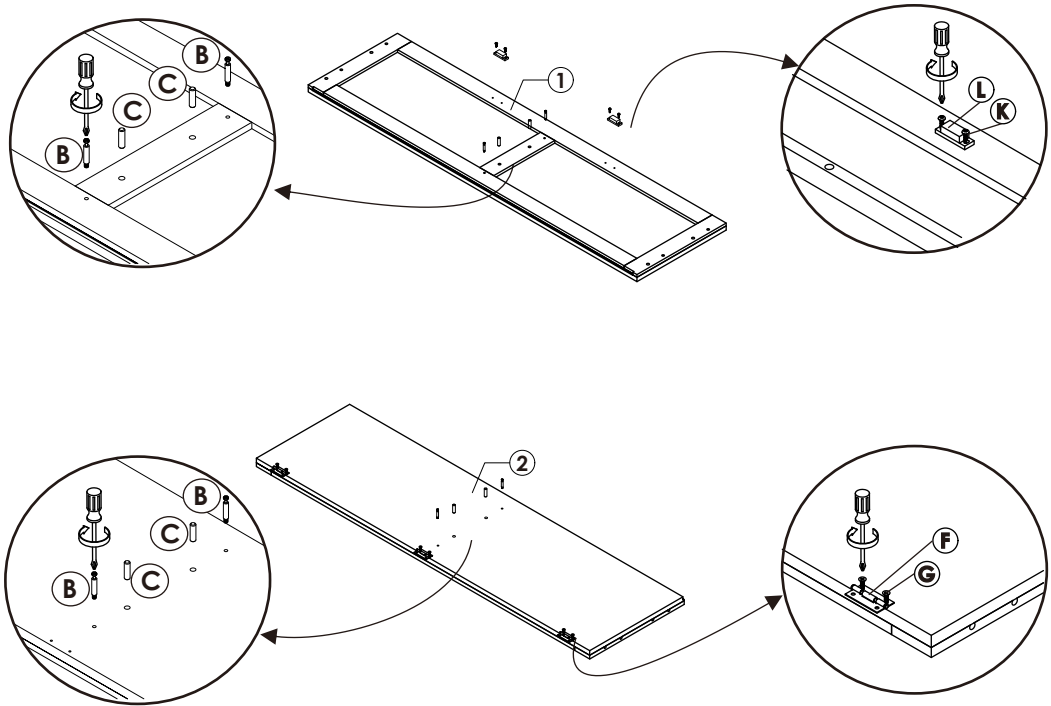
PART	DESCRIPTION	QUANTITY	ILLUSTRATION
G	SCREW (JF Ø6X12MM)	16	
H	SCREW (JPØ8X32MM)	2	
I	JCBC BOLT (M6X45MM)	8	
J	SCREW (JPØ6X12MM)	14	
K	SCREW (JPØ6X16MM)	4	
L	MAGNETIC CATCHES	2	
M	FISCHER	2	
N	ANTI TIPPING HARDWARE	2	
O	ALLEN KEY M4	1	
P	PLAT CATCHES	2	

ASSEMBLY INSTRUCTIONS

STEPS

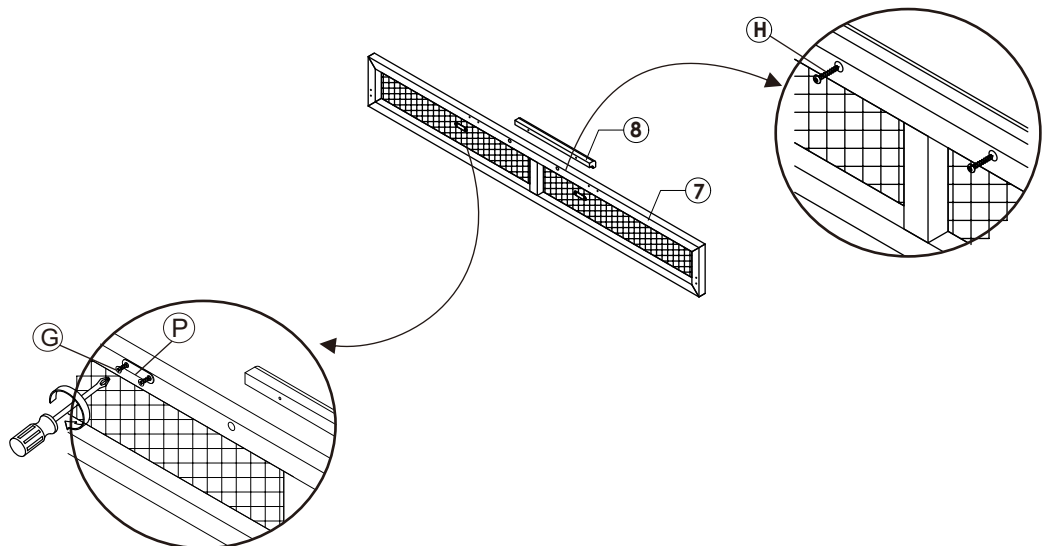
ILLUSTRATION

1



Attach minifix bolt (B),dowel (C) on part top panel (1), then magnetic catches (L) by using screw (K). Attach minifix bolt (B),dowel (C) on part bottom panel(2),then Hinge (F) by using screw (G).

2



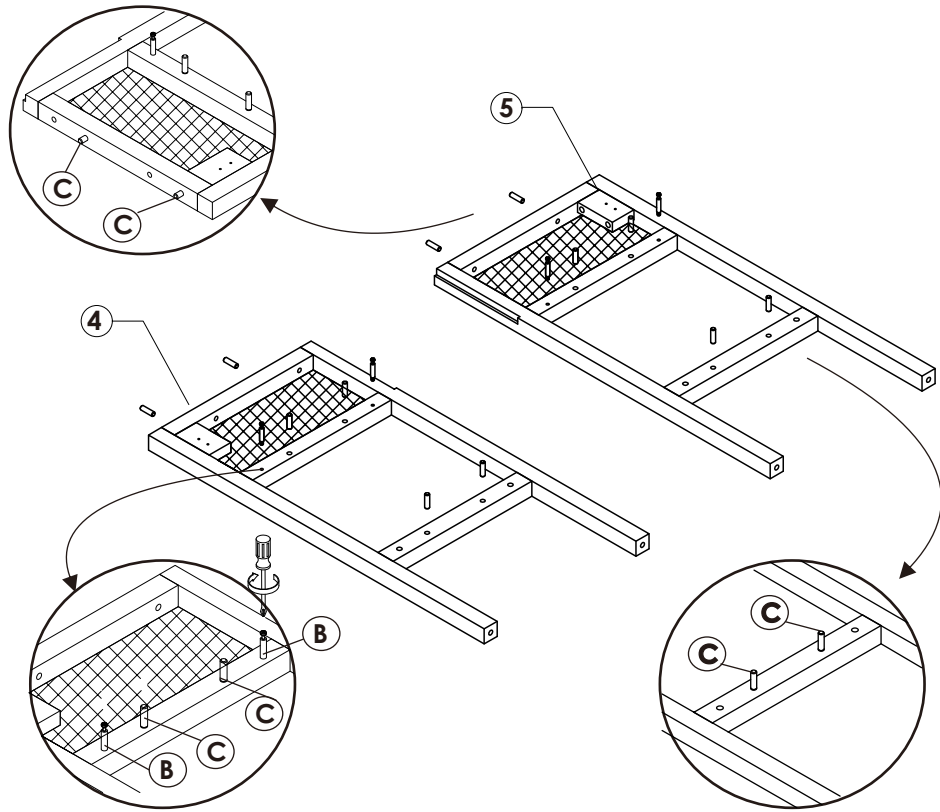
Attach door handle (8) into Door panel (7) by using screw(H). Attach plat catches (P) after this tighten using screw (G).

ASSEMBLY INSTRUCTIONS

STEPS

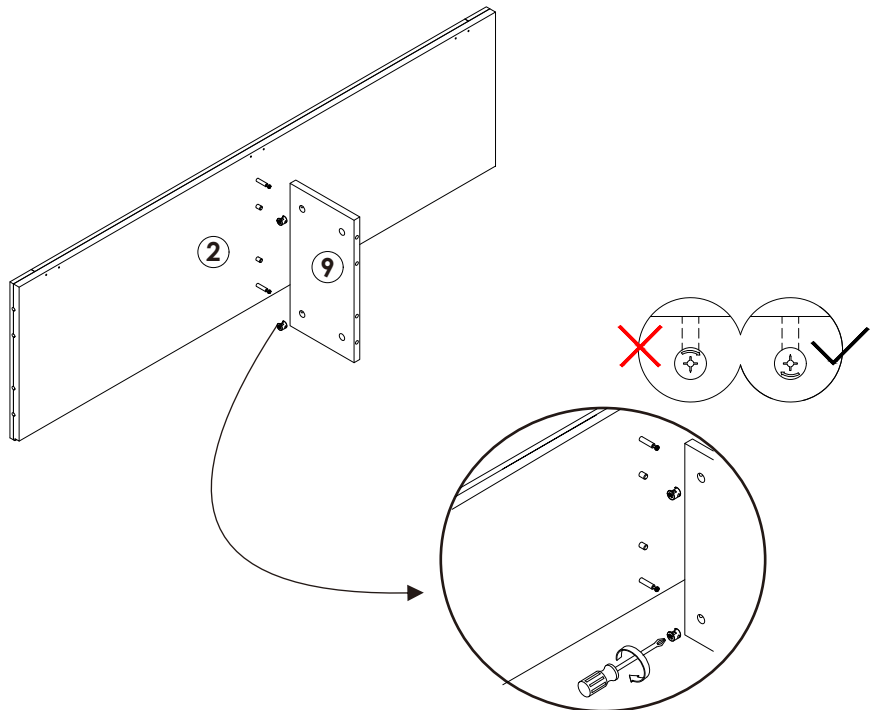
ILLUSTRATION

3



Attach wood dowel(C) , and Minifix bolt(B) to hole on left and right panel (4 &5).

4



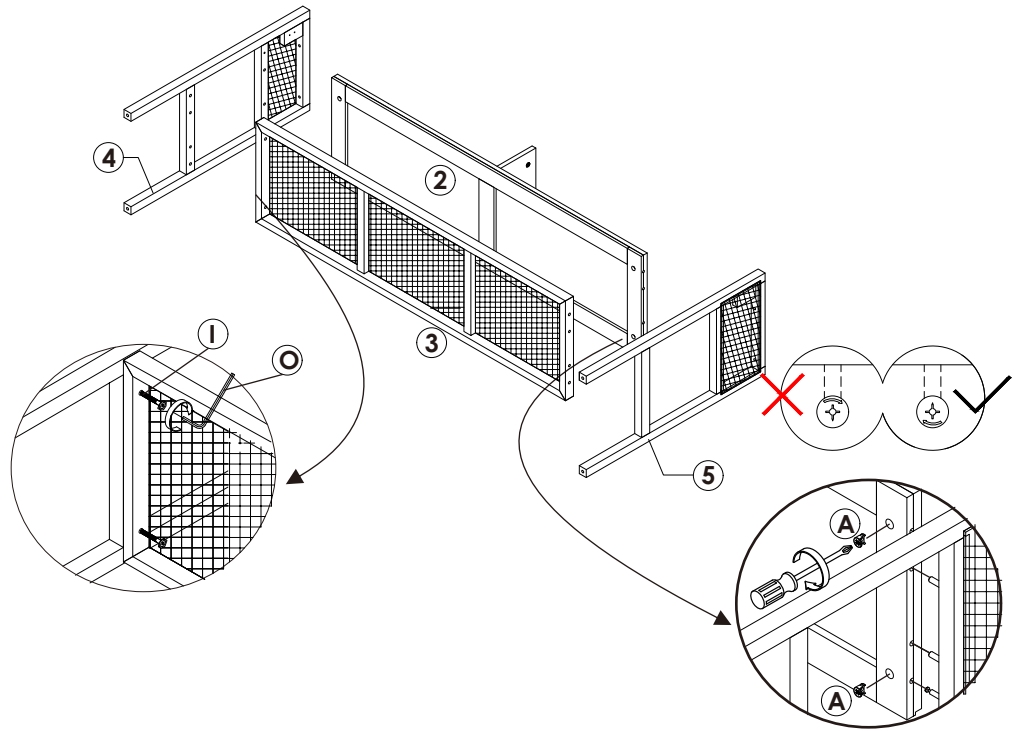
Attach minifix housing(A) in hole on center panel (9), then assembly part 2 and 9 by tighten minifix housing (A) by using manual screw driver (not included)

ASSEMBLY INSTRUCTIONS

STEPS

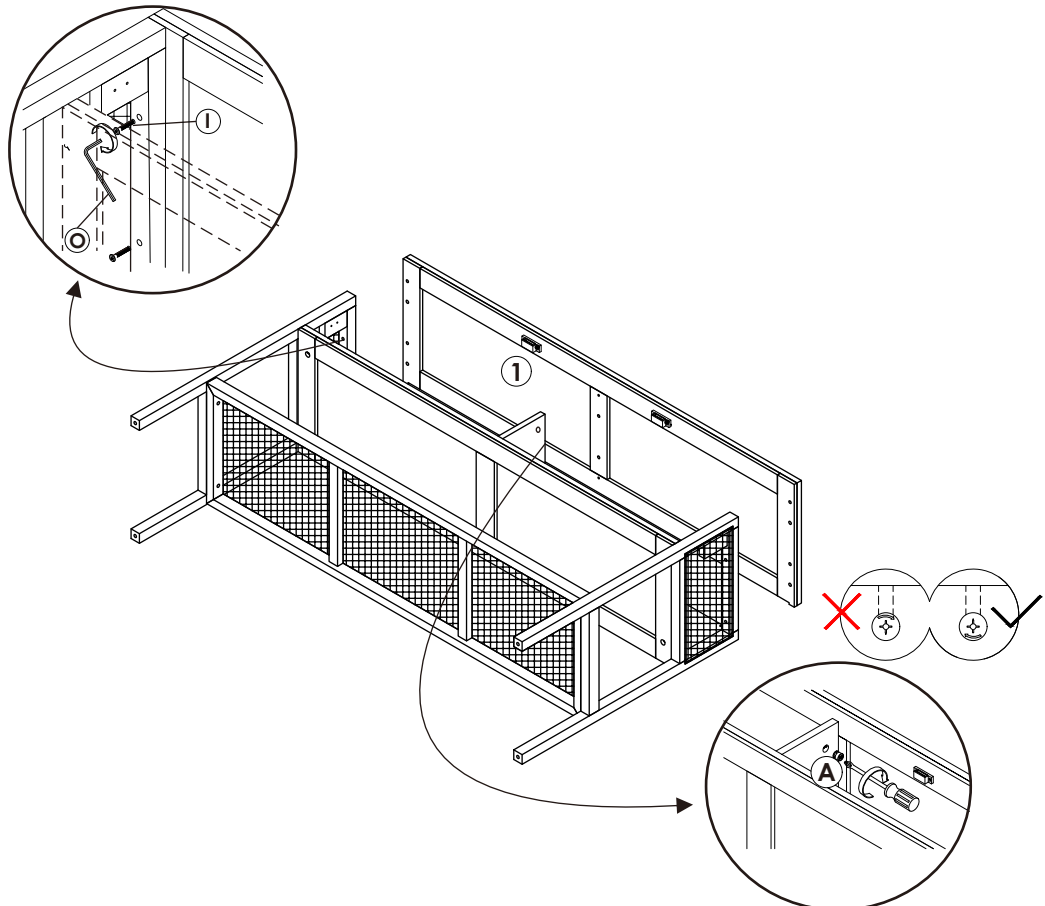
ILLUSTRATION

5



Attach minifix housing(A) in bottom panel (2), then assembly part 2, 3, 4 and 5.
Tight minifix housing(A) and JCBC bolt(I) using manual screw driver and Allen key M4(O)

6



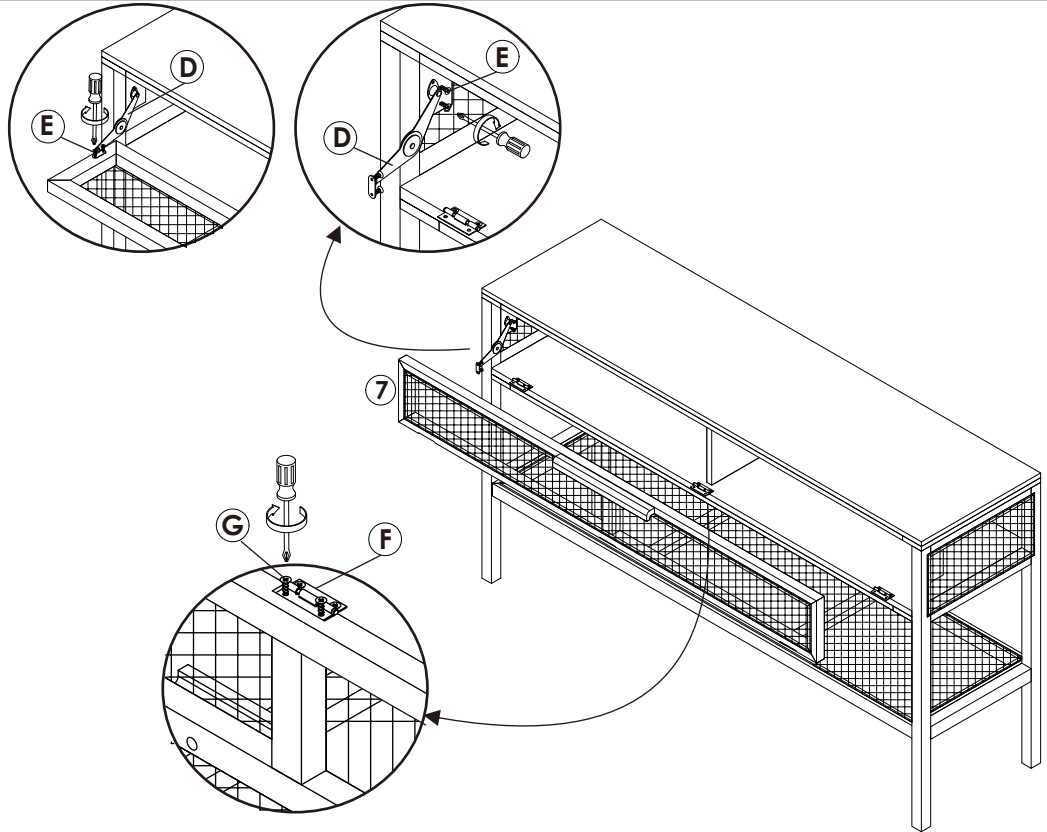
Assembly part 1 to the unit by using minifix housing (A) and JCBC bolt (I). Tight bolt using Allen key (O) and minifix housing (A) by using manual screw driver (not included).

ASSEMBLY INSTRUCTIONS

STEPS

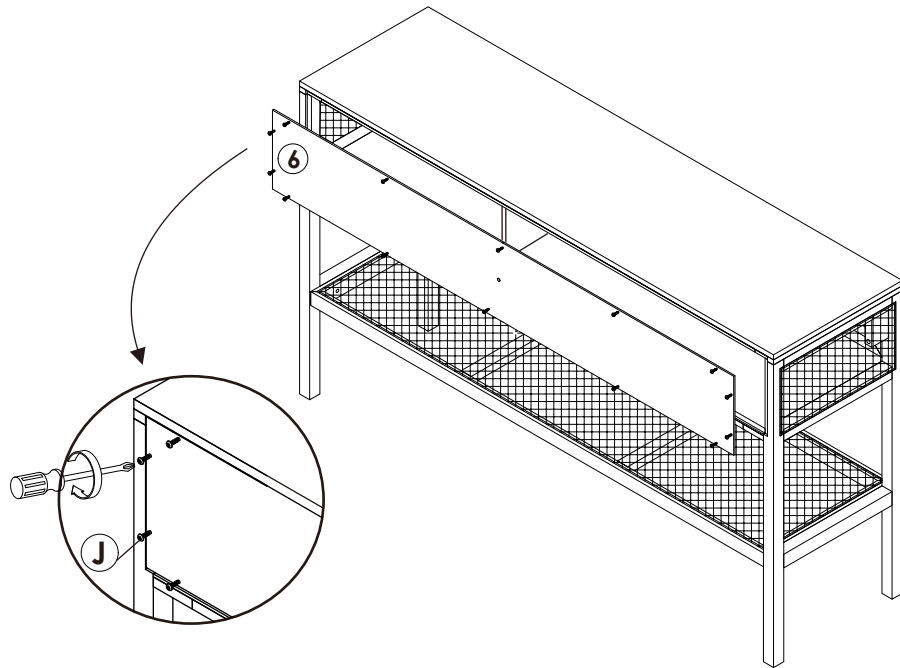
ILLUSTRATION

7



Assembly door panel (7) to body using screw(G),after that attach Flip Stay(D) to body using screw(E) Tighten with manual screw driver (not included).

8



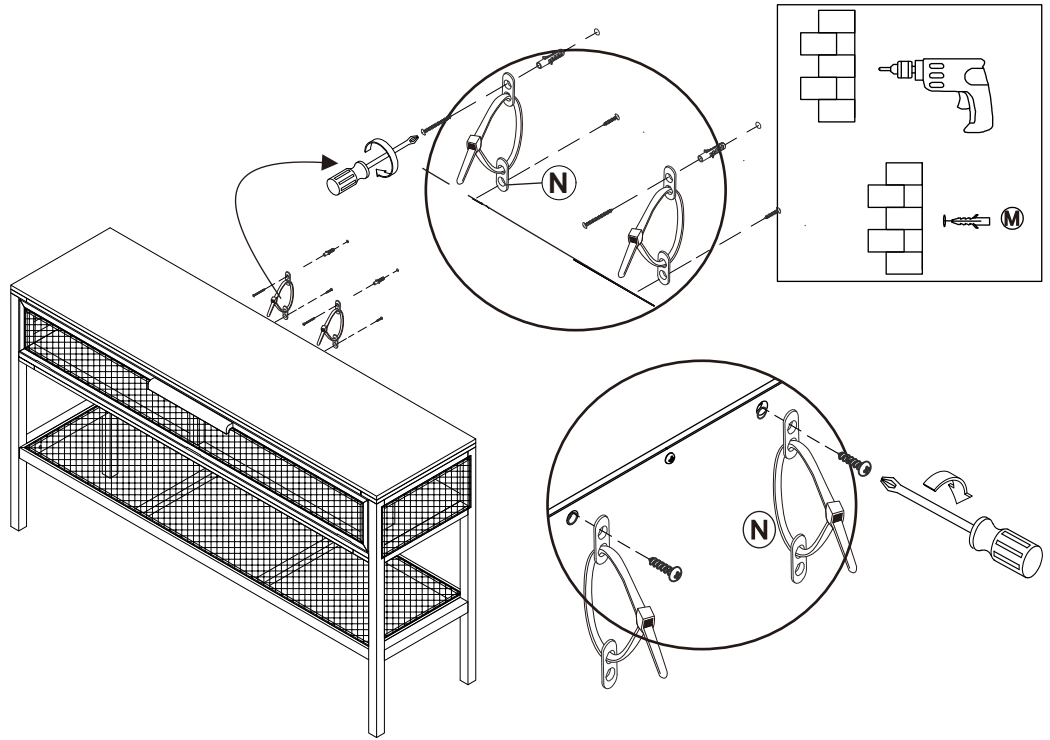
Assembly Back panel(6) to body using screw(J)

ASSEMBLY INSTRUCTIONS

STEPS

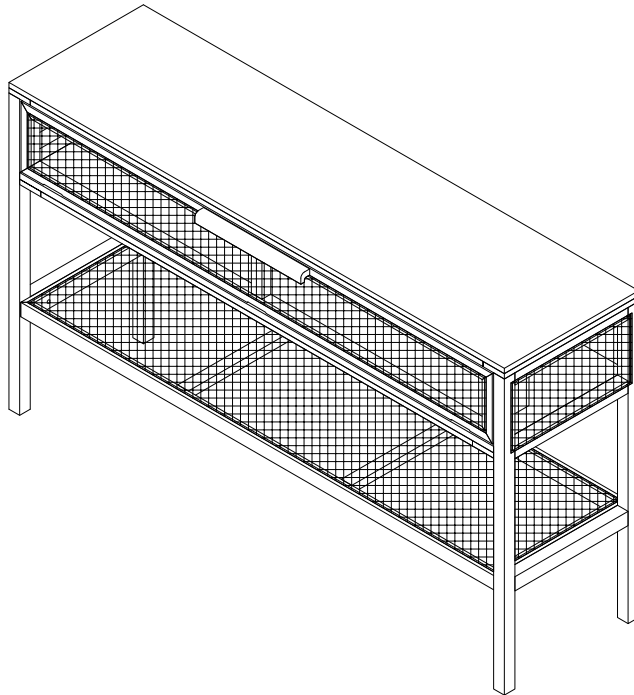
ILLUSTRATION

9



Attach Anti tipping(N). This item should be attached to the wall.
(It is important to sink your screws into a wall stud or use drywall anchor)

10



Assembly Complete

ASSEMBLY TIPS:

Please check parts and hardware before assembling. Follow each instruction step by step.

Place a protective pad or piece of cardboard on the floor while assembling your item on top of it.

Remove all parts from the carton and separate them into part numbers/groups as indicated on the part list.

Please follow instructions in the sequence as numbered to assure fast/easy assembly.

WARNING:

Don't attempt to repair or modify parts that are broken or defective - if you find a broken part please contact us for replacement.

Keep all hardware parts out of the reach of children.

FURNITURE CARE:

Following these few basic steps will help to ensure that you enjoy your furniture for a long time:

Do not expose your furniture to direct sunlight, dampness or any heat, like a hot cup of coffee or tea. Always use a coaster.

Excessive exposure to sunlight may cause fading.

Excessive temperature and humidity or cold may cause cracking or splitting.

Dust with a clean, damp, lint free cloth.

Use a damp cloth with water or mild detergent to clean all surfaces - do not use chemicals or paint thinner which will fade the surface.

Place a piece of felt or a pad under the legs of your furniture to avoid scratching the floor.